

Automatic

PowerBox III - start / stop automatic - FV50X

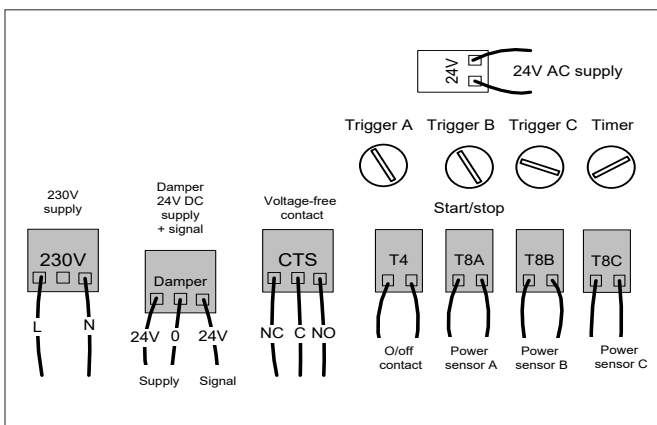
Geovent PowerBox III is an automatic component which ensures optimum utilization of the process extraction system. The PowerBox III senses via an inductive sensor, if the drilling, grinding or welding machine is activated etc., where after it opens the motor damper &/or turns on the fan (via i.e. MultiBox III).

By using the PowerBox III great savings on the energy consumption can be made, on the electrical and heating bill, since you only pay for the amount of extract air that you need. The system is automatically turned on/off which increases the usage (in door climate) and lowers the general noise level, both resulting in a better working environment.

In function the PowerBox III has much resemblance to the Geovent PowerSmart II CEE plug. The difference lies in the fact that the PowerBox is slightly cheaper &



Installation diagram of model FV50X



has 3 inputs. On the contrary, the CEE plug, has the benefit, that one does not need to invest in an separate CEE plug.

Features:

- Easy to install/adjust.
- Up to 3 input from 3 different machines
- Separate sensitivity adjustment on each machine.
- Optional time settings on each input.
- Automatically turns on the system (CTS relay to be connected to MultiBox III).
- Flexible installation of sensor.
- The standard sensor needs an effect of 700W in order to be activated.
- The timer function is adjustable from 2 sec. - 3 min. +/- 20%

Ordering table

Art. No.	Description
13-057	PowerBox III, FV50X excl. sensor
13-047	Inductive sensor for PowerBox III
13-047A	Flux sensor for PowerBox III. Used for machines that that doesn't up whole the EMC directive.